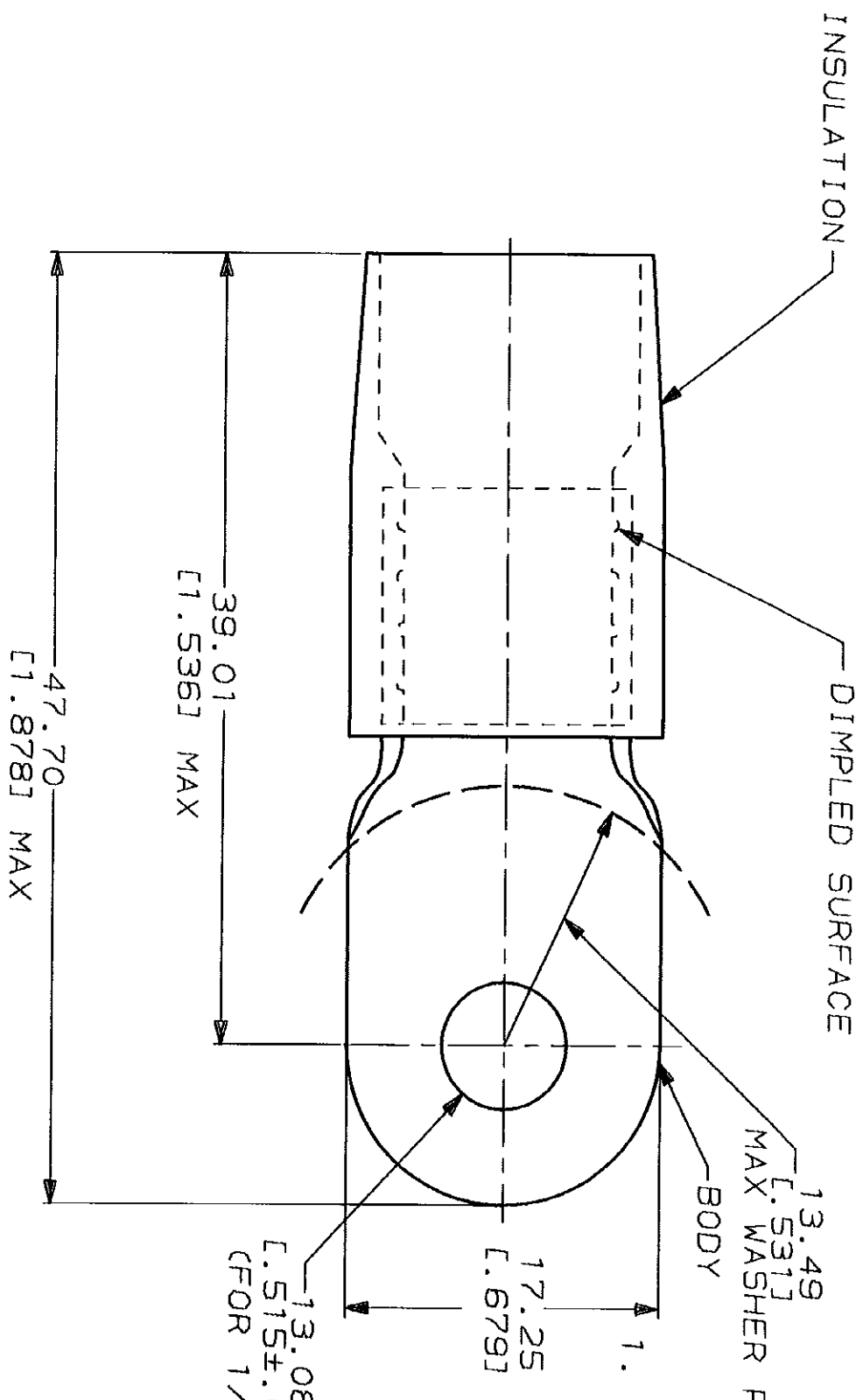


THIS DRAWING IS UNPUBLISHED. RELEASED FOR PUBLICATION BY AMP INCORPORATED. ALL INTERNATIONAL RIGHTS RESERVED.

LOC	DIST	P	F	ZONE	LTR	REVISIONS	DATE	APPD
G	14			G	EC 0720-0279-93		6-18-93	BB

AMP
WIRE RANGE
4 AWG
STRANDED

METRIOR
DIMENSIONS LISTED IN mm [INCHES]



AMP INCORPORATED CUSTOMER SERVICE SYSTEMS

FOR ADDITIONAL PRODUCT INFORMATION OR COPIES OF DRAWINGS AND TECHNICAL DOCUMENTS	1-800-522-6752	PRODUCT INFORMATION CENTER
FOR APPLICATION TOOLING INFORMATION	1-800-722-1111	TOOLING ASSISTANCE CENTER
FOR ORDER ENTRY	1-800-526-5142	

MAX RECOMMENDED OPERATING TEMPERATURE:	105 °C
VOLTAGE RATING:	-
CIRCULAR MIL AREA:	16.8-26.7mm² [E3, 100-52, 600] STRANDED

DO NOT SCALE PRINT. UNLESS SPECIFIED OTHERWISE	DR 6/93
TOLERANCES ON:	SS GOLDEN
2 PLC DEC ± 0.20(.008)	CHK 6/93
3 PLC DEC ± -	R HERSEY
ANGLES ± -	APPD 6/93
MATERIAL	B BARE
COPPER PER ASTM B-152	APPD 6/93
NYLON (MIL-M-20693) TYPE 1	M ELLIS
COLOR: YELLOW	PRODUCT SPEC
FINISH	APPLICATION SPEC
TIN PLATE PER MIL-T-10727	WEIGHT -

LOOSE PC	324114
PACKAGE TYPE	PART NO
AMP	AMP Incorporated Harrisburg, PA 17105-3608
TERMINAL, RING TONGUE, TERMINYL	
WIRE SIZE: 4 AWG	
SIZE	CAGE CODE
B	00779
SCALE	DRAWING NO
NTS	G=324114
	SHEET
	1 OF 1

AMP 1470-15 REV 3-92 19 AUG 1993 13:50:02 AMP12368 <UJ128A>DEPT1132>U.DWG1132>U.RBY>U.TERMINYL>U.CUST

CUSTOMER DRAWING